

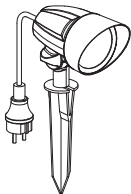
PHILIPS

Cylr
9290047032

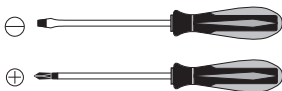
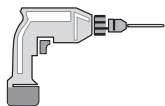


User manual
Benutzerhandbuch
Notice d'emploi
Manual de usuario
Manual do usuário
Manuale d'uso
Gebruiksaanwijzing

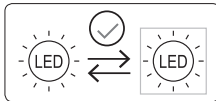
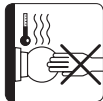
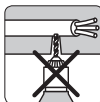
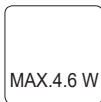
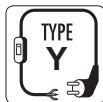
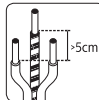
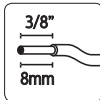
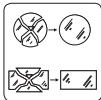
Incl.

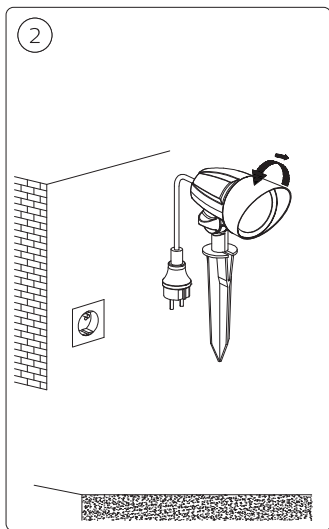
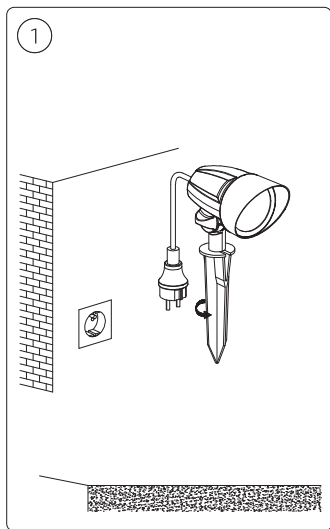
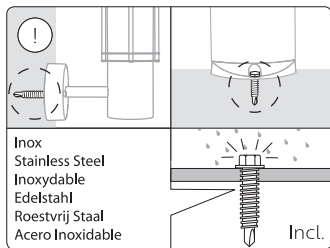


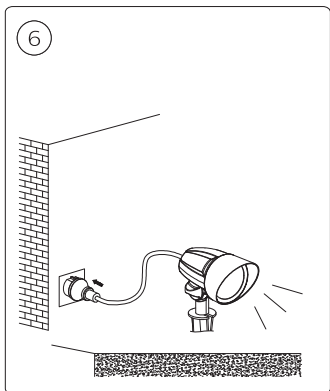
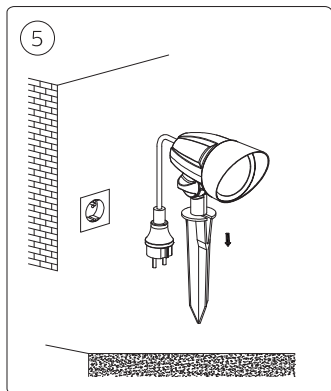
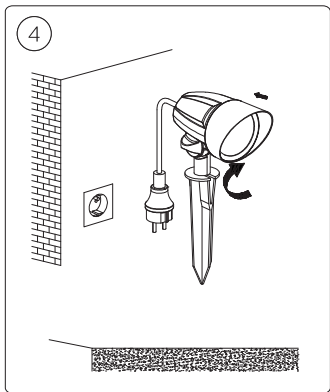
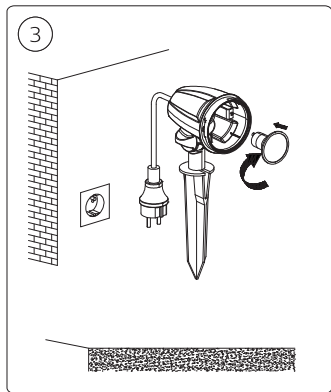
Excl.

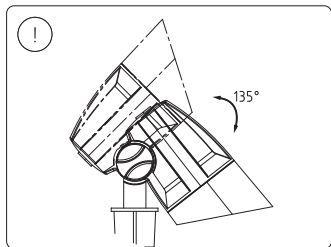


IP44











Signify Commercial UK Limited
2 Guildford Business Park,
GU2 8XG

Signify
I.B.R.S. / C.C.R.I. Numéro 10461
5600 VB Eindhoven,
the Netherlands
☎00800-74454775

© 2025 Signify Holding

©ignify

3241 663 15791

Philips and the Philips Shield Emblem
are registered trademarks of Koninklijke
Philips N.V. and are used under license

www.philips.com/lighting