

OSRAM



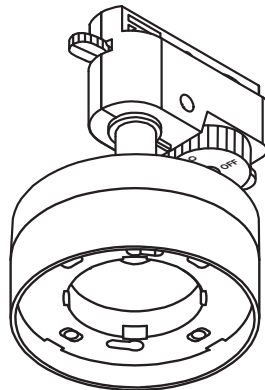
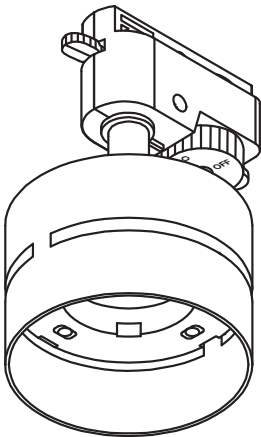
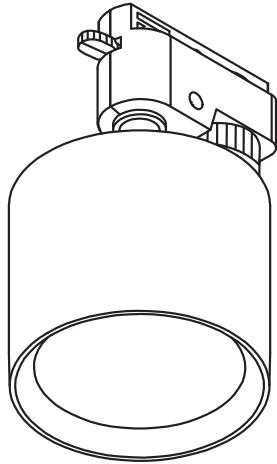
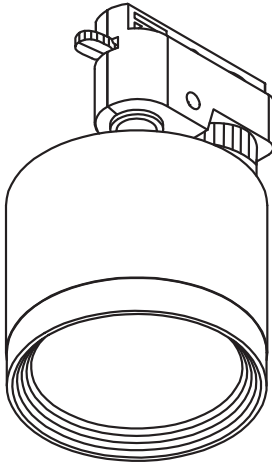
1-PHASE TRACKING SYSTEM

FLARE

X-RAY

CLEAR

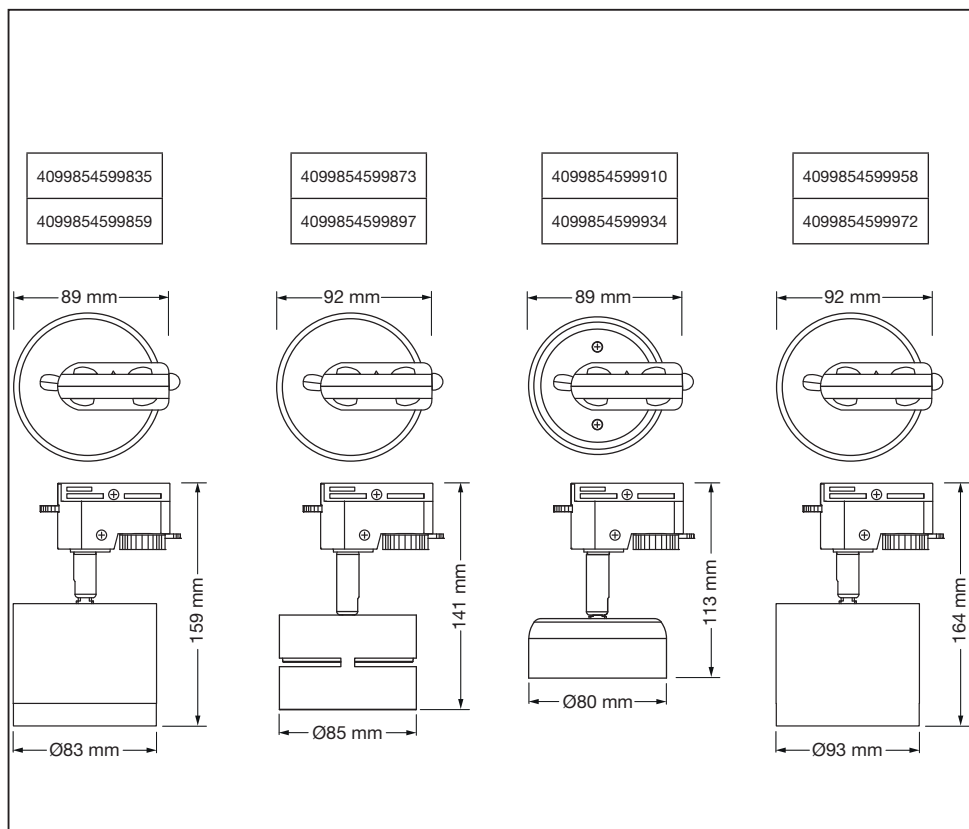
ETERNAL



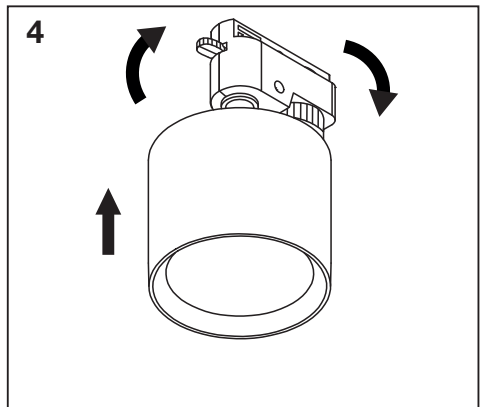
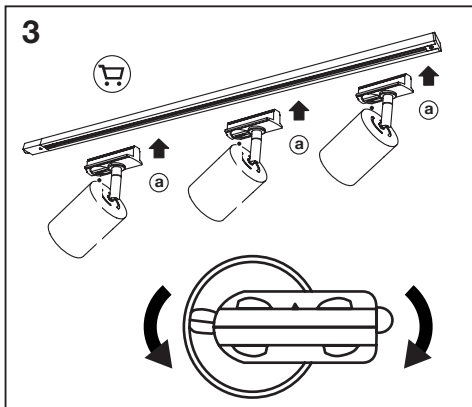
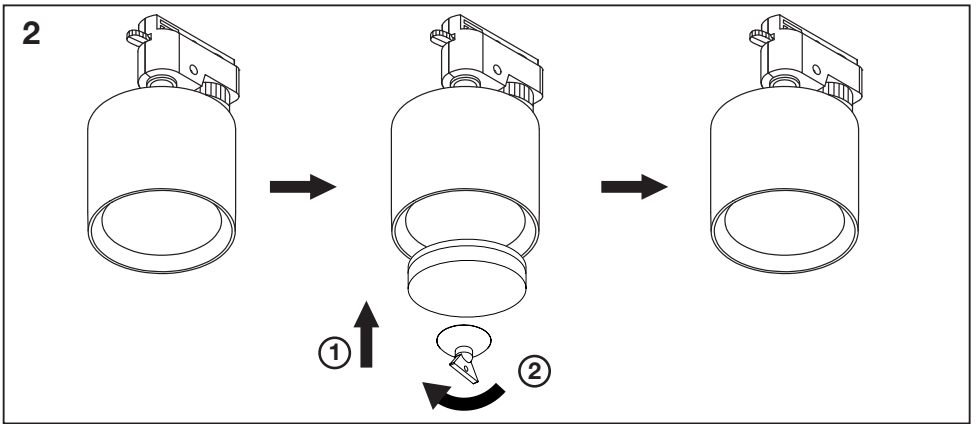
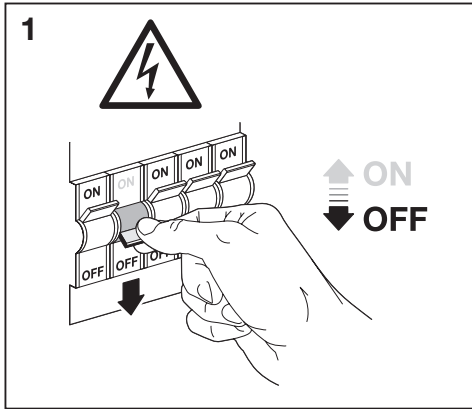
1-PHASE TRACKING SYSTEM FLARE X-RAY CLEAR ETERNAL



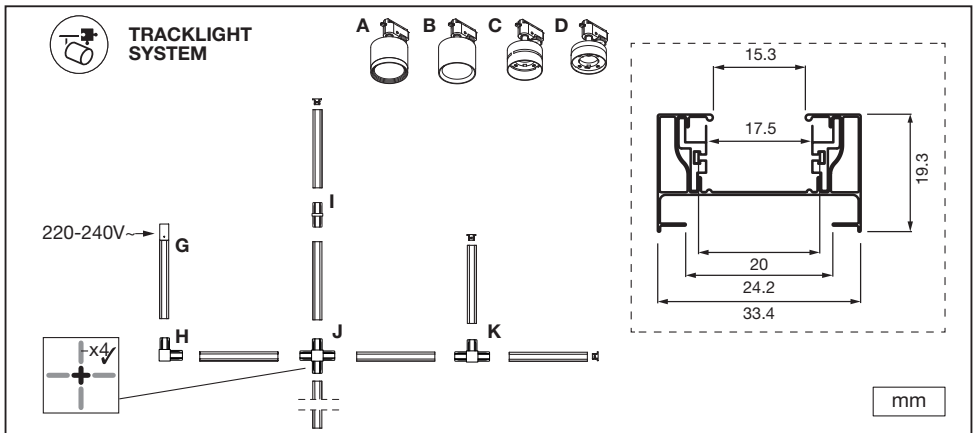
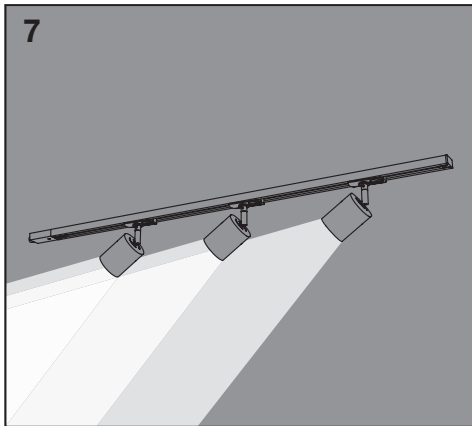
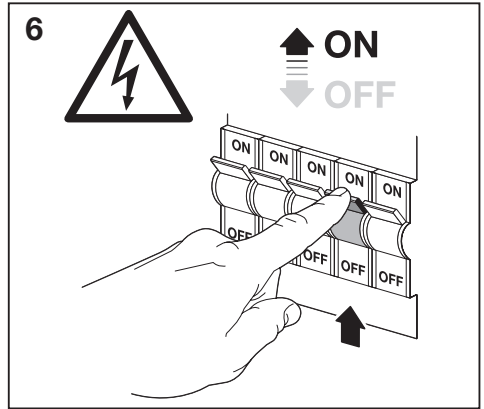
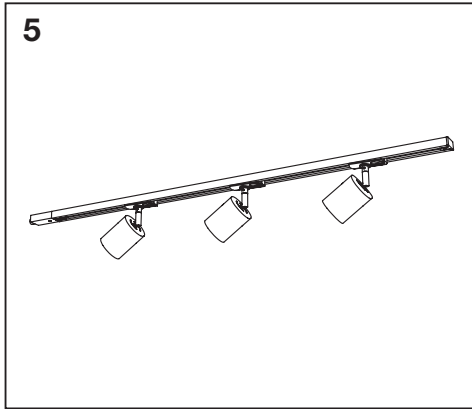
	EAN	$W_{MAX. LED}$	θ_{j-c} (°C)	IP	V~	Hz	⊞
TRACK 1-PH SPOT FLARE GX53 WT	4099854599835	6	-20...+40	20	220-240	50/60	203g
TRACK 1-PH SPOT FLARE GX53 BK	4099854599859	6	-20...+40	20	220-240	50/60	203g
TRACK 1-PH SPOT X-RAY GX53 WT	4099854599873	6	-20...+40	20	220-240	50/60	200g
TRACK 1-PH SPOT X-RAY GX53 BK	4099854599897	6	-20...+40	20	220-240	50/60	200g
TRACK 1-PH SPOT CLEAR GX53 WT	4099854599910	6	-20...+40	20	220-240	50/60	130g
TRACK 1-PH SPOT CLEAR GX53 BK	4099854599934	6	-20...+40	20	220-240	50/60	130g
TRACK 1-PH SPOT ETERNAL GX53 WT	4099854599958	6	-20...+40	20	220-240	50/60	283g
TRACK 1-PH SPOT ETERNAL GX53 BK	4099854599972	6	-20...+40	20	220-240	50/60	283g



1-PHASE TRACKING SYSTEM FLARE X-RAY CLEAR ETERNAL



1-PHASE TRACKING SYSTEM FLARE X-RAY CLEAR ETERNAL



Item	Model	Socket	Dimension L x W x H	Color	EAN
A	TRACK 1-PH SPOT FLARE GX53	GX53	89 x 83 x 159	White Black	4099854599835 4099854599859
B	TRACK 1-PH SPOT X-RAY GX53	GX53	92 x 85 x 141	White Black	4099854599873 4099854599897
C	TRACK 1-PH SPOT CLEAR GX53	GX53	89 x 80 x 113	White Black	4099854599910 4099854598934
D	TRACK 1-PH SPOT ETERNAL GX53	GX53	92 x 93 x 164	White Black	4099854599958 4099854599972
G	TRACK 1-PH RAIL 1M	-	1000 x 33.4 x 19.3	White Black	4099854598319 4099854598494
G	TRACK 1-PH RAIL 2M	-	2000 x 33.4 x 19.3	White Black	4099854598623 4099854598654
H	TRACK 1-PH CONNECTOR L TYPE	-	69 x 69 x 19.3	White Black	4099854599156 4099854599194
I	TRACK 1-PH CONNECTOR I TYPE	-	74 x 30 x 19.3	White Black	4099854599057 4099854599095
J	TRACK 1-PH CONNECTOR X TYPE	-	102 x 102 x 19.3	White Black	4099854599293 4099854599316
K	TRACK 1-PH CONNECTOR T TYPE	-	102 x 69 x 19.3	White Black	4099854599231 4099854599279



Points de collecte sur www.quefairedemesdechets.fr



LEDVANCE SASU
CQM, 5 rue d'Altorf
67120 Molsheim France
www.ledvance.com

C10449057
G11249343
05.10.25

LEDVANCE Ltd, Sterling House,
810 Mandarin Court, Warrington,
Cheshire, WA1 1GG, United Kingdom