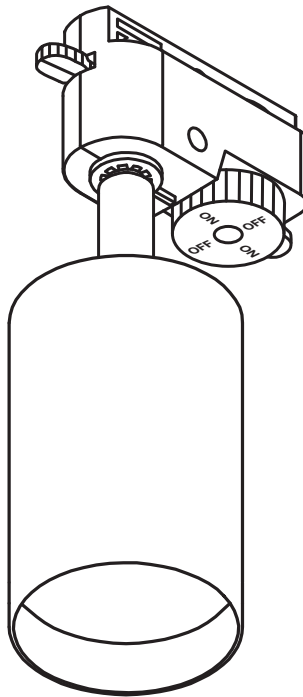

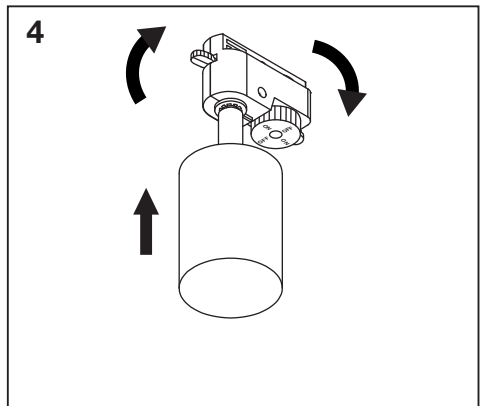
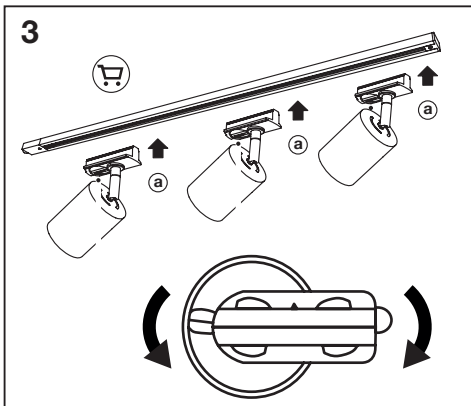
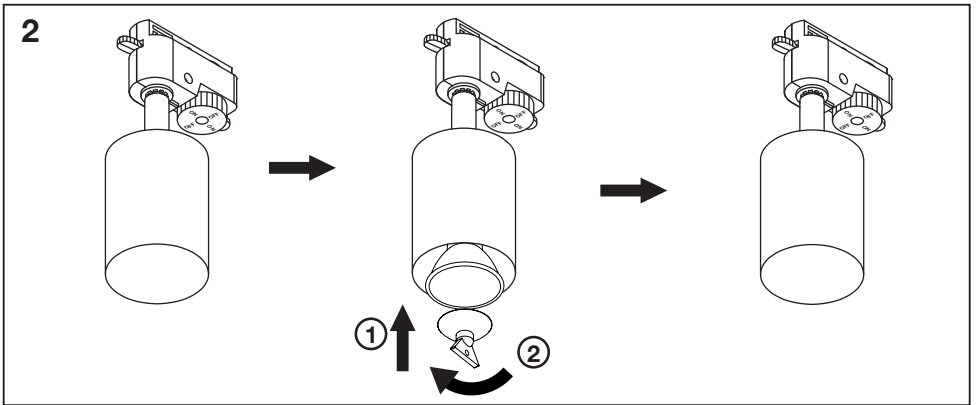
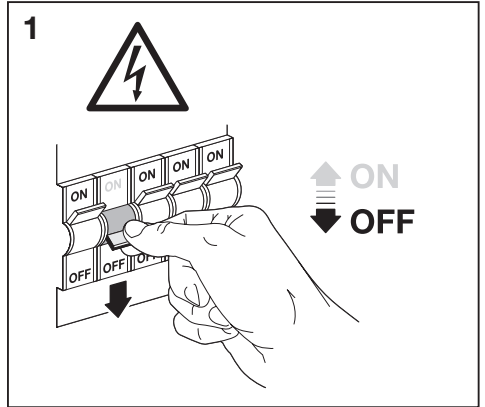
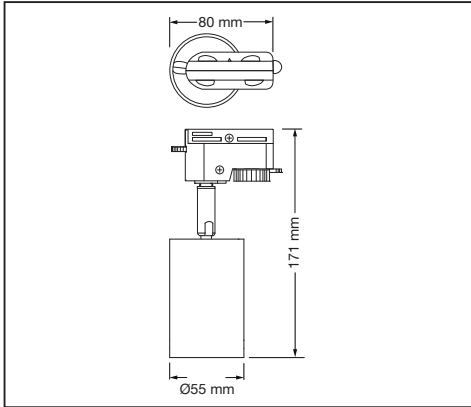


# 1-PHASE TRACKING SYSTEM ETERNAL

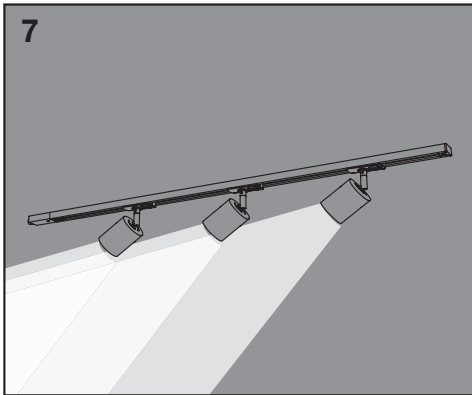
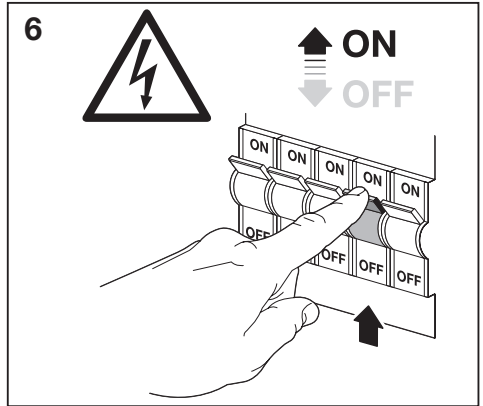
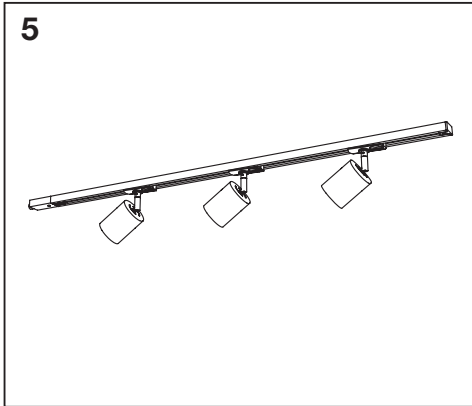


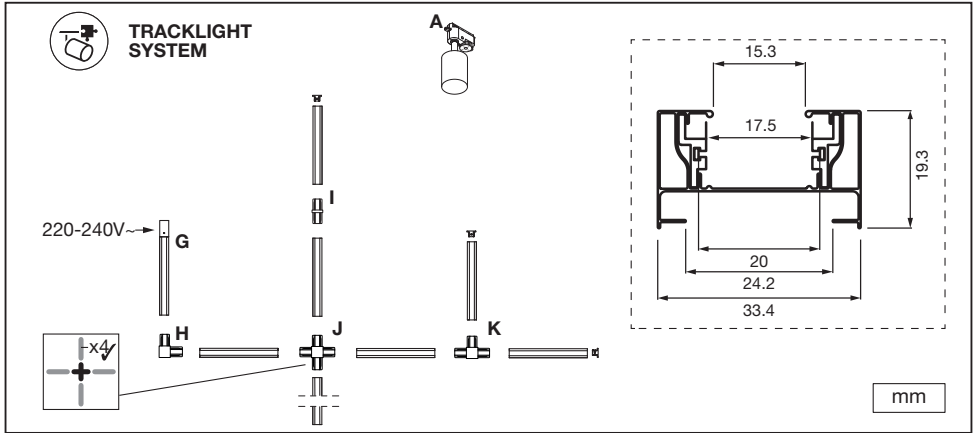
	EAN	W <sub>MAX.</sub> LED	⊖(°C)	IP	V~	Hz	
TRACK 1-PH SP ETERNAL GU10 WT EUE	4099854598999	6	-20...+40	20	220-240	50/60	158g
TRACK 1-PH SP ETERNAL GU10 BK EUE	4099854599392	6	-20...+40	20	220-240	50/60	158g

# 1-PHASE TRACKING SYSTEM ETERNAL



# 1-PHASE TRACKING SYSTEM ETERNAL





Item	Model	Socket	Dimension L x W x H	Color	EAN
A	TRACK 1-PH SP ETERNAL GU10	GU10	83 x 55 x 171	White Black	4099854598999 4099854598392
G	TRACK 1-PH RAIL 1M	-	1000 x 33.4 x 19.3	White Black	4099854598319 4099854598494
G	TRACK 1-PH RAIL 2M	-	2000 x 33.4 x 19.3	White Black	4099854598623 4099854598654
H	TRACK 1-PH CONNEX- TOR L TYPE	-	69 x 69 x 19.3	White Black	4099854599156 4099854599194
I	TRACK 1-PH CONNEX- TOR I TYPE	-	74 x 30 x 19.3	White Black	4099854599057 4099854599095
J	TRACK 1-PH CONNEX- TOR X TYPE	-	102 x 102 x 19.3	White Black	4099854599293 4099854599316
K	TRACK 1-PH CONNEX- TOR T TYPE	-	102 x 69 x 19.3	White Black	4099854599231 4099854599279



LEDVANCE SASU  
CQM, 5 rue d'Altorf  
67120 Molsheim France  
[www.ledvance.com](http://www.ledvance.com)

C10449057  
G11249346  
05.10.25

® LEDVANCE Ltd, Sterling House,  
810 Mandarin Court, Warrington,  
Cheshire, WA1 1GG, United Kingdom