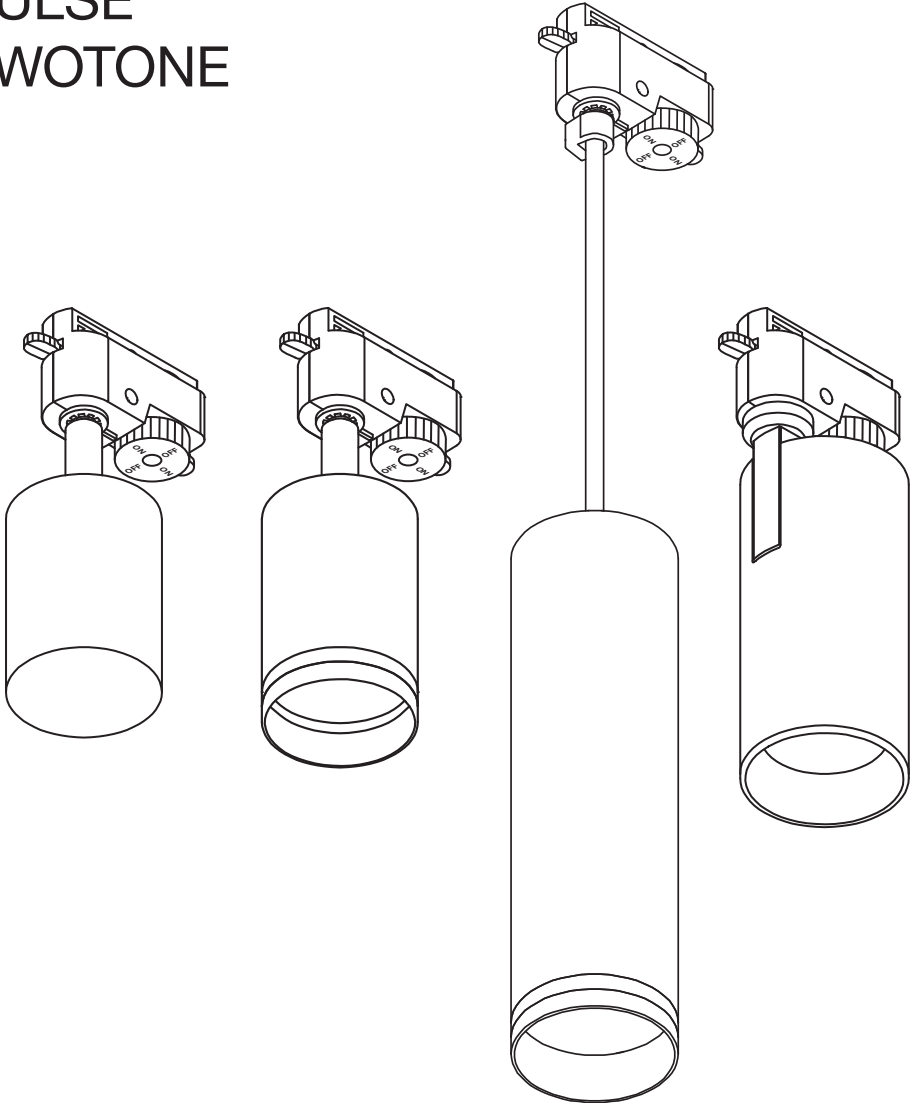


OSRAM



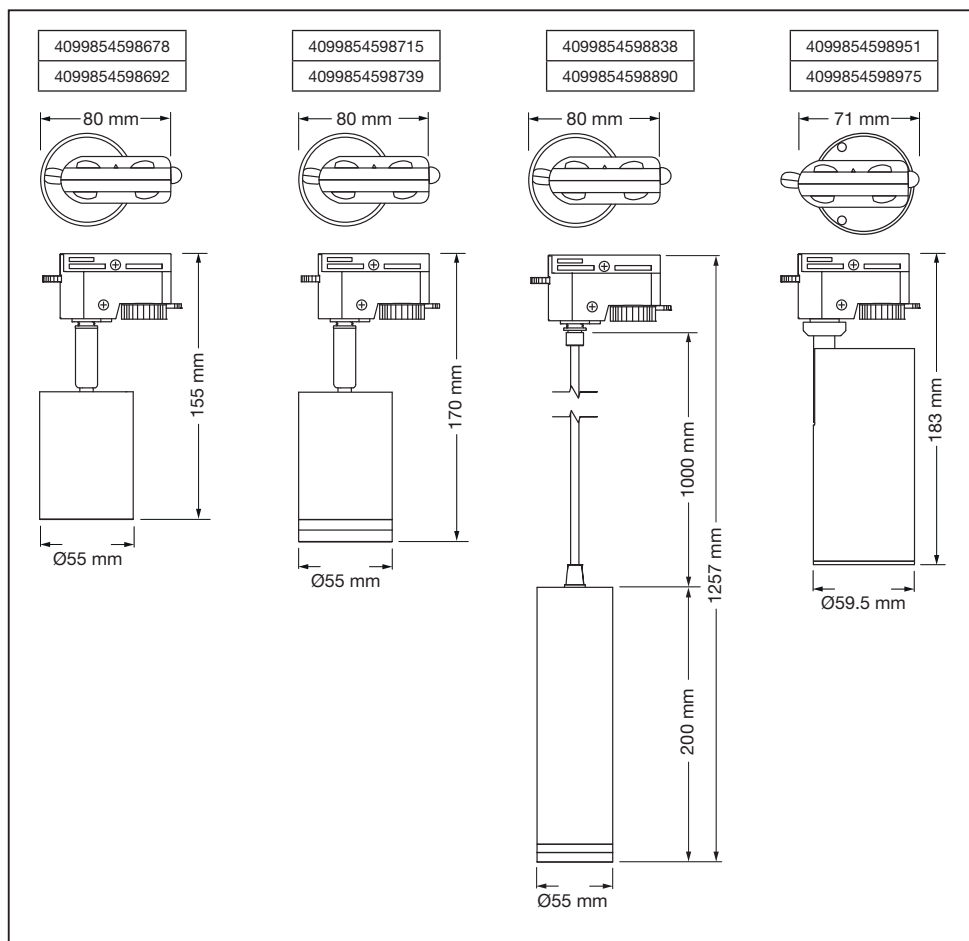
1-PHASE TRACKING SYSTEM
ELEMENTAL
PULSE
TWO-TONE



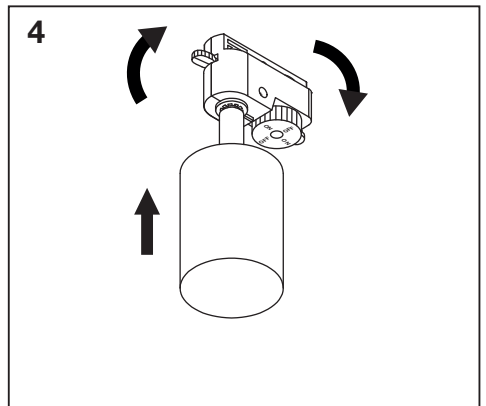
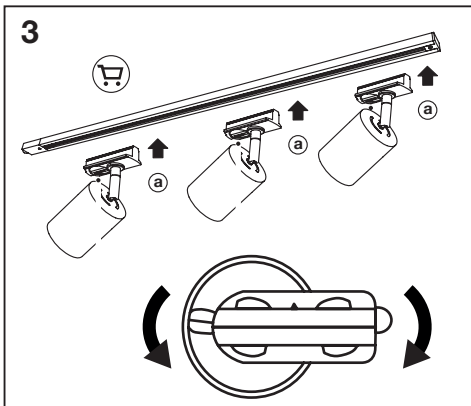
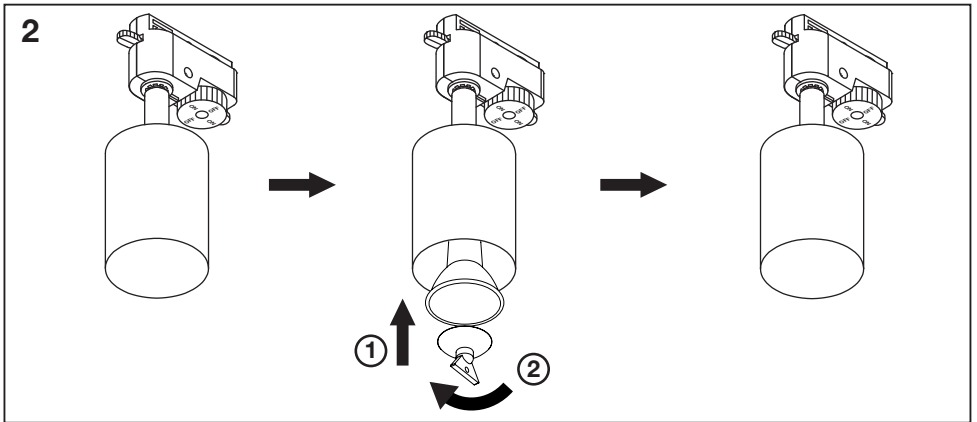
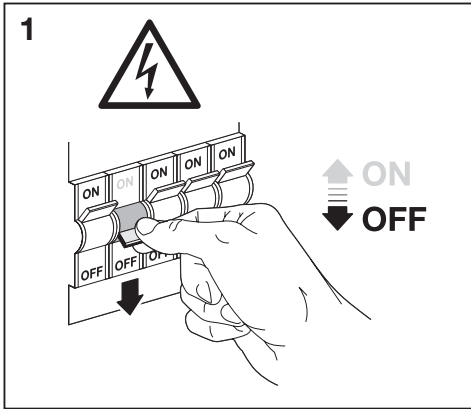
1-PHASE TRACKING SYSTEM ELEMENTAL PULSE TWOTONE



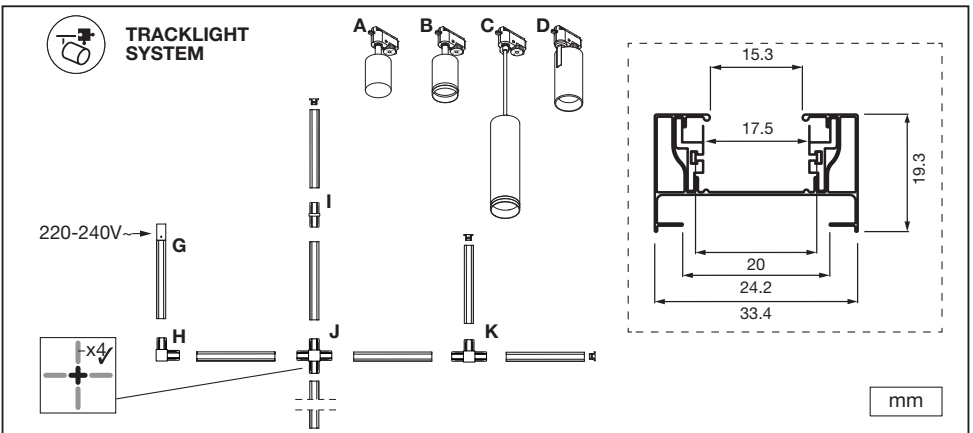
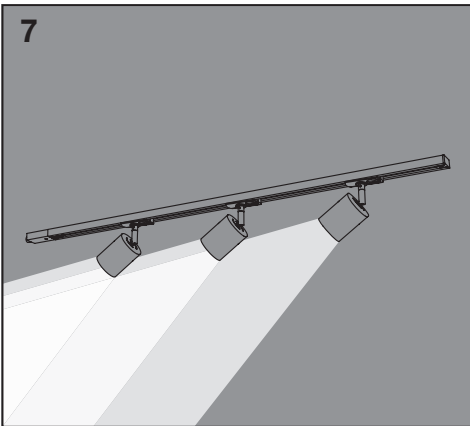
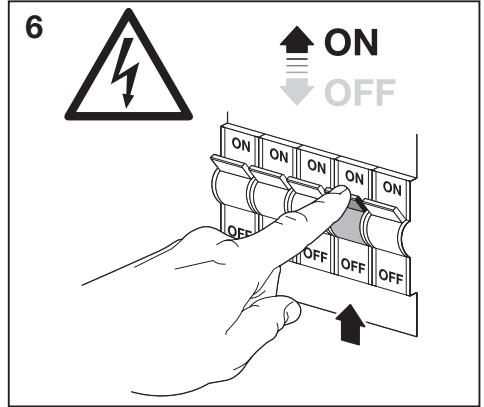
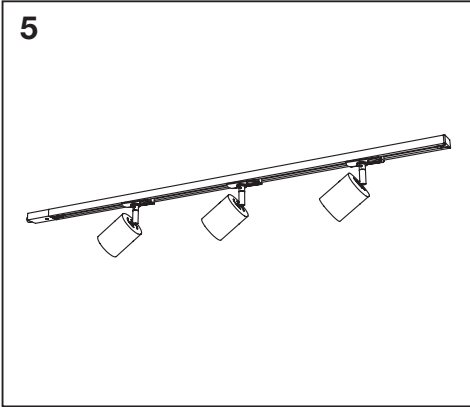
	EAN	W _{MAX.} LED	°C	IP	V~	Hz	⊞
TRACK 1-PH SP ELEMENTAL GU10 WT EUE	4099854598678	6	-20...+40	20	220-240	50/60	138g
TRACK 1-PH SP ELEMENTAL GU10 BK EUE	4099854598692	6	-20...+40	20	220-240	50/60	138g
TRACK 1-PH SPOT PULSE GU10 WT EUE	4099854598715	6	-20...+40	20	220-240	50/60	147g
TRACK 1-PH SPOT PULSE GU10 BK EUE	4099854598739	6	-20...+40	20	220-240	50/60	147g
TRACK 1-PH PEN SP PULSE GU10 WT EUE	4099854598838	6	-20...+40	20	220-240	50/60	300g
TRACK 1-PH PEN SP PULSE GU10 BK EUE	4099854598890	6	-20...+40	20	220-240	50/60	300g
TRACK 1-PH SP TWO-TONE GU10WT/BK EUE	4099854598951	6	-20...+40	20	220-240	50/60	203g
TRACK 1-PH SP TWO-TONE GU10BK/WT EUE	4099854598975	6	-20...+40	20	220-240	50/60	203g



1-PHASE TRACKING SYSTEM ELEMENTAL PULSE TWOTONE



1-PHASE TRACKING SYSTEM ELEMENTAL PULSE TWOTONE



Item	Model	Socket	Dimension L x W x H	Color	EAN
A	TRACK 1-PH SP ELE-MENTAL GU10	GU10	80 x 55 x 150	White Black	4099854598678 4099854598692
B	TRACK 1-PH SPOT PULSE GU10	GU10	80 x 55 x 170	White Black	4099854598715 4099854598739
C	TRACK 1-PH PEN SP PULSE GU10	GU10	80 x 55 x 200	White Black	4099854598838 4099854598890
D	TRACK 1-PH SP TWO-TONE GU10	GU10	71 x 59.5 x 183	White Black	4099854598951 4099854598975
G	TRACK 1-PH RAIL 1M	-	1000 x 33.4 x 19.3	White Black	4099854598319 4099854598494
G	TRACK 1-PH RAIL 2M	-	2000 x 33.4 x 19.3	White Black	4099854598623 4099854598654
H	TRACK 1-PH CONNecTOR L TYPE	-	69 x 69 x 19.3	White Black	4099854599156 4099854599194
I	TRACK 1-PH CONNecTOR I TYPE	-	74 x 30 x 19.3	White Black	4099854599057 4099854599095
J	TRACK 1-PH CONNecTOR X TYPE	-	102 x 102 x 19.3	White Black	4099854599293 4099854599316
K	TRACK 1-PH CONNecTOR T TYPE	-	102 x 69 x 19.3	White Black	4099854599231 4099854599279



LEDVANCE SASU
CQM, 5 rue d'Altorf
67120 Molsheim France
www.ledvance.com

C10449057
G11249345
05.10.25

® LEDVANCE Ltd, Sterling House,
810 Mandarin Court, Warrington,
Cheshire, WA1 1GG, United Kingdom