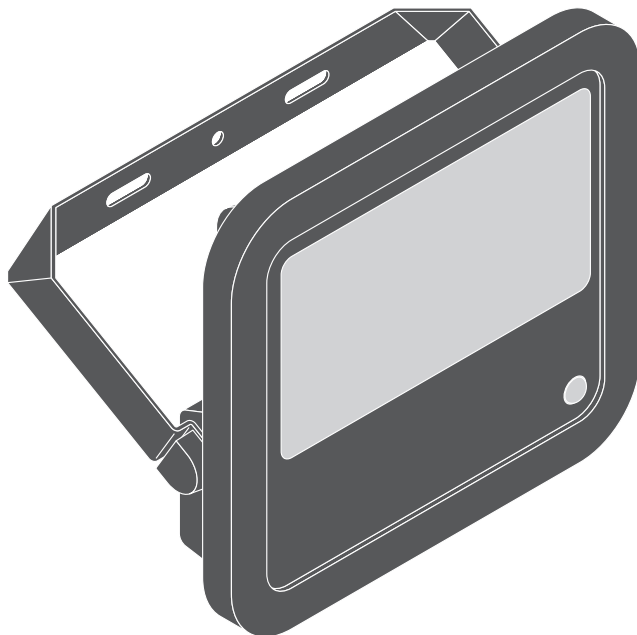


# FLOODLIGHT GEN4 PHOTOCELL



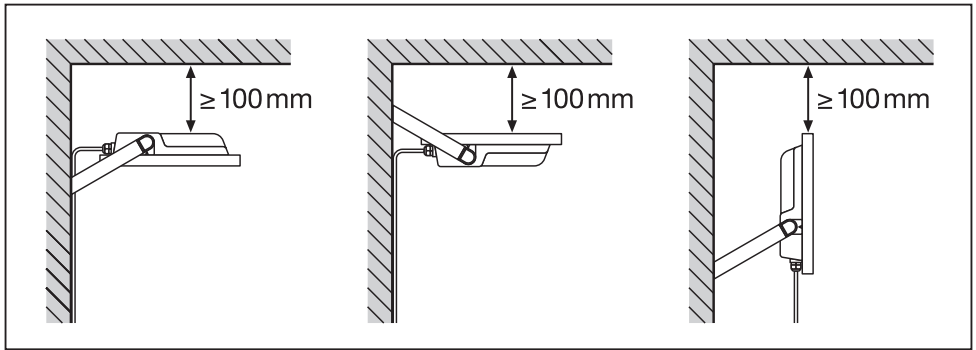
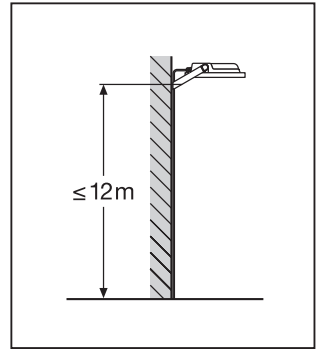
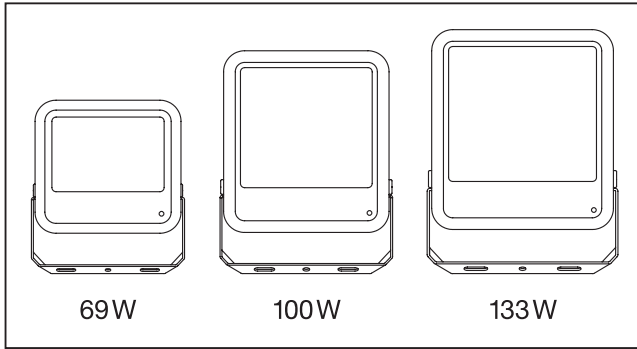
LEDVANCE



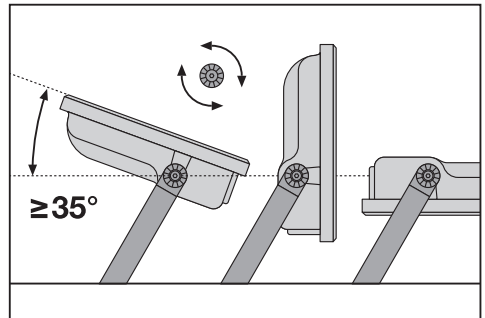
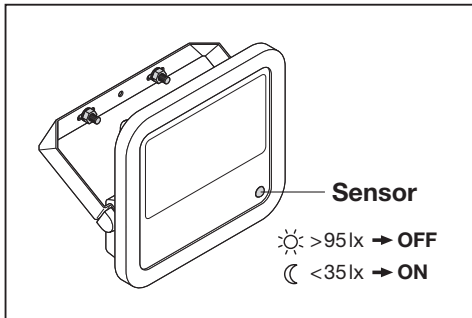
	EAN	l x w x h [mm]	W*	V <sub>AC</sub>	Hz	lm*	lm/W	K
FL 100 PCELL P 69W 840 10KLM PS BK	4099854306945	236x267x52	69	220-240V	50/60Hz	10000	145	4000
FL 150 PCELL P 100W 840 15KLM PS BK	4099854307003	266x343x55	100	220-240V	50/60Hz	15000	150	4000
FL 200 PCELL P 133W 840 20KLM PS BK	4099854307041	294x376x58	133	220-240V	50/60Hz	20000	150	4000

	EAN	IP	IK	∠	R <sub>a</sub>	⊕ (°C)	PF	👤
FL 100 PCELL P 69W 840 10KLM PS BK	4099854306945	66	08	100°	≥80	-30...+50	> 0.9	1.7 kg
FL 150 PCELL P 100W 840 15KLM PS BK	4099854307003	66	08	100°	≥80	-30...+50	> 0.9	2.8 kg
FL 200 PCELL P 133W 840 20KLM PS BK	4099854307041	66	08	100°	≥80	-30...+50	> 0.9	3.5 kg

# FLOODLIGHT GEN4 PHOTOCELL



						230 Vac			
						C10A	B16A	C16A	
69W		A	B	C	2x M6	0.045 m <sup>2</sup>			
100W		150	108	8.5	2x M6	0.070 m <sup>2</sup>	25	41	41
133W		150	108	10.5	2x M8	0.085 m <sup>2</sup>	6	5	9
		170	118	10.5	2x M8		4	4	7



# FLOODLIGHT GEN4 PHOTOCELL

