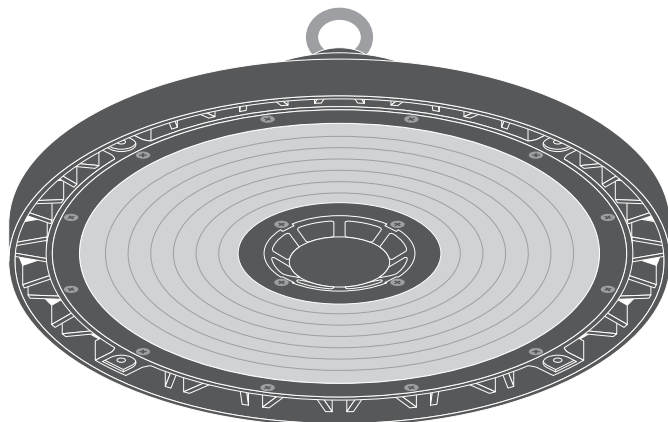
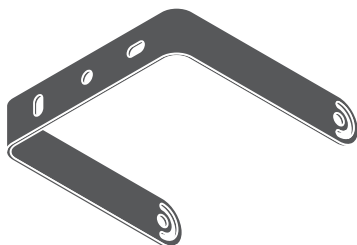


HIGHBAY DALI

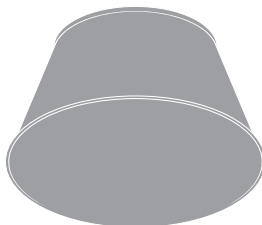



	EAN	Ø x h [mm]	W	V _{AC/DC}	Hz	lm	lm/W	K
HB DA P 75W 840 70DEG IP66	4058075844407	280 x 161	75	220-240	0/50/60	13275	177	4000
HB DA P 75W 840 110DEG IP66	4058075844414	280 x 161	75	220-240	0/50/60	13500	180	4000
HB DA P 150W 840 70DEG IP66	4058075844421	321 x 160	150	220-240	0/50/60	26400	176	4000
HB DA P 150W 840 110DEG IP66	4058075844438	321 x 160	150	220-240	0/50/60	26550	177	4000
HB DA P 200W 840 70DEG IP66	4058075844445	321 x 162	200	220-240	0/50/60	35200	176	4000
HB DA P 200W 840 110DEG IP66	4058075844452	321 x 162	200	220-240	0/50/60	36200	181	4000
HB DA P 75W 865 70DEG IP66	4058075844469	280 x 161	75	220-240	0/50/60	13125	175	6500
HB DA P 75W 865 110DEG IP66	4058075844476	280 x 161	75	220-240	0/50/60	13200	176	6500
HB DA P 150W 865 70DEG IP66	4058075844483	321 x 160	150	220-240	0/50/60	26250	175	6500
HB DA P 150W 865 110DEG IP66	4058075844490	321 x 160	150	220-240	0/50/60	26250	175	6500
HB DA P 200W 865 70DEG IP66	4058075844506	321 x 162	200	220-240	0/50/60	35000	175	6500
HB DA P 200W 865 110DEG IP66	4058075844513	321 x 162	200	220-240	0/50/60	35000	175	6500

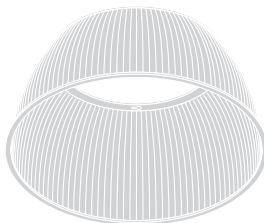
	EAN	IP	IK	∇	R _a	⊖ (°C)	PF	👤
HB DA P 75W 840 70DEG IP66	4058075844407	66	10	70	>80	-30...+50	>0.95	2.6 kg
HB DA P 75W 840 110DEG IP66	4058075844414	66	10	110	>80	-30...+50	>0.95	2.6 kg
HB DA P 150W 840 70DEG IP66	4058075844421	66	10	70	>80	-30...+50	>0.95	2.9 kg
HB DA P 150W 840 110DEG IP66	4058075844438	66	10	110	>80	-30...+50	>0.95	2.9 kg
HB DA P 200W 840 70DEG IP66	4058075844445	66	10	70	>80	-30...+50	>0.95	3.3 kg
HB DA P 200W 840 110DEG IP66	4058075844452	66	10	110	>80	-30...+50	>0.95	3.3 kg
HB DA P 75W 865 70DEG IP66	4058075844469	66	10	70	>80	-30...+50	>0.95	2.6 kg
HB DA P 75W 865 110DEG IP66	4058075844476	66	10	110	>80	-30...+50	>0.95	2.6 kg
HB DA P 150W 865 70DEG IP66	4058075844483	66	10	70	>80	-30...+50	>0.95	2.9 kg
HB DA P 150W 865 110DEG IP66	4058075844490	66	10	110	>80	-30...+50	>0.95	2.9 kg
HB DA P 200W 865 70DEG IP66	4058075844506	66	10	70	>80	-30...+50	>0.95	3.3 kg
HB DA P 200W 865 110DEG IP66	4058075844513	66	10	110	>80	-30...+50	>0.95	3.3 kg



	EAN	l x w x h [mm]	👤	🔌
HB BRACKET 138	4058075844643	138 x 35 x 203	0.35 kg	HB DA P 75W 8XX 70DEG/110DEG HB DA P 150W 8XX 70DEG/110DEG HB DA P 200W 8XX 70DEG/110DEG

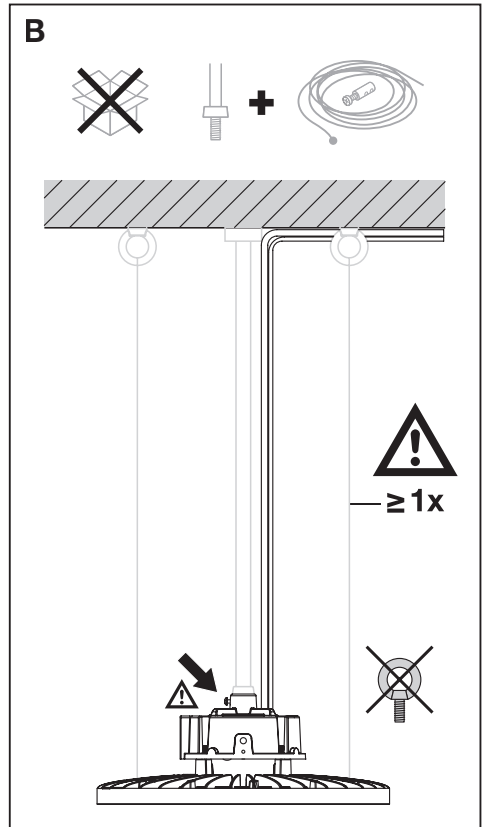
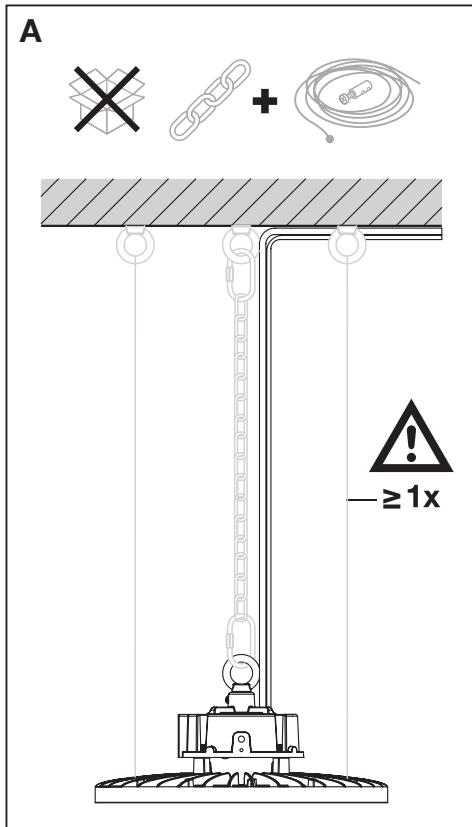
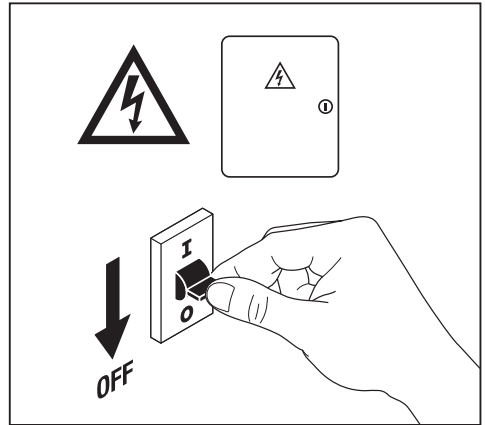
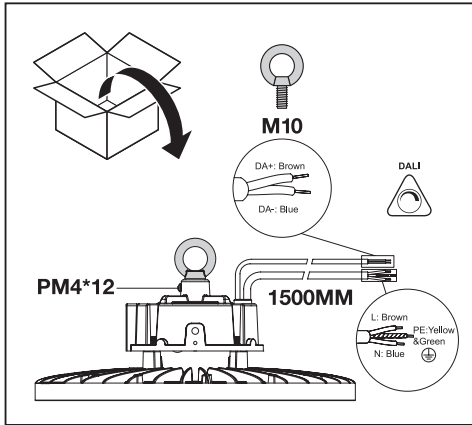


	EAN	Ø x h [mm]	👤	🔌
HB ALU REFLECTOR 415	4058075844568	415 x 205	0.3 kg	HB DA P 75W 8XX 70DEG/110DEG
HB ALU REFLECTOR 500	4058075844582	500 x 235	0.5 kg	HB DA P 150W 8XX 70DEG/110DEG HB DA P 200W 8XX 70DEG/110DEG



	EAN	Ø x h [mm]	👤	🔌
HB PC REFRACTOR 415	4058075844605	413 x 205	0.7 kg	HB DA P 75W 8XX 70DEG/110DEG
HB PC REFRACTOR 500	4058075844629	480 x 250	1.0 kg	HB DA P 150W 8XX 70DEG/110DEG HB DA P 200W 8XX 70DEG/110DEG

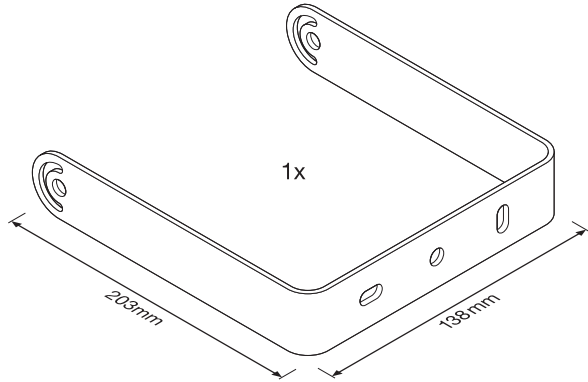
HIGHBAY DALI







HIGHBAY DALI

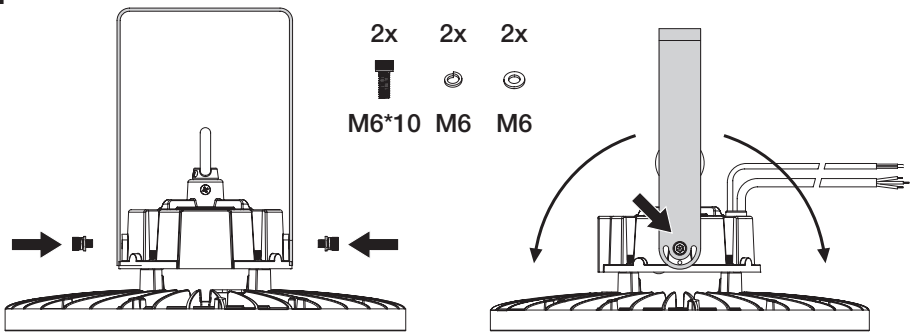


HB Bracket 138
EAN 4058075844643

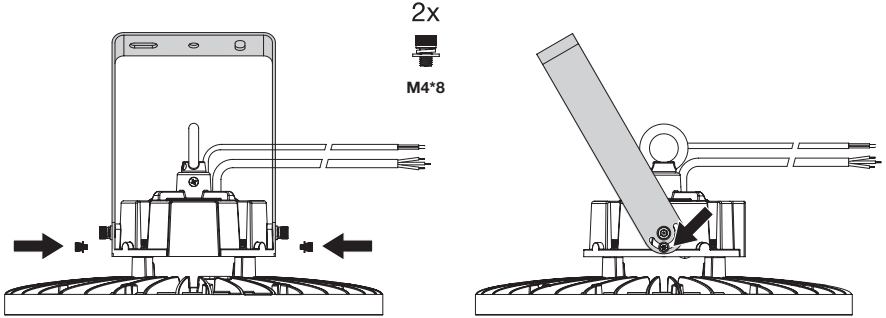


2x 2x 2x 2x
   
M6*10 M6 M6 M4*8

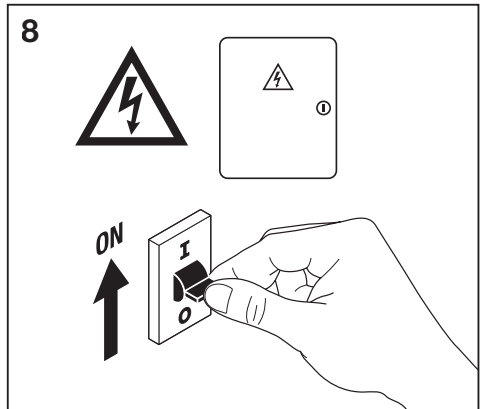
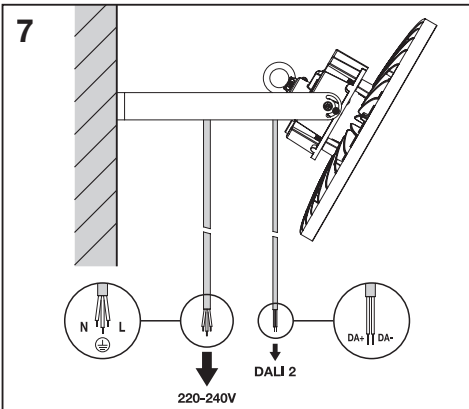
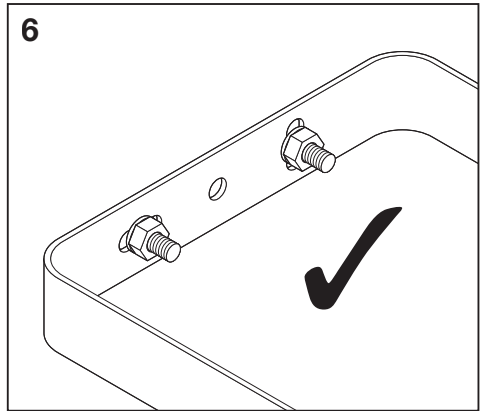
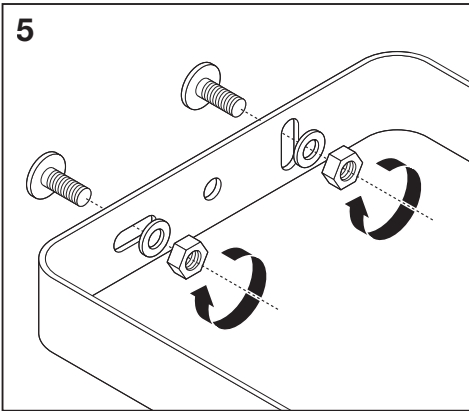
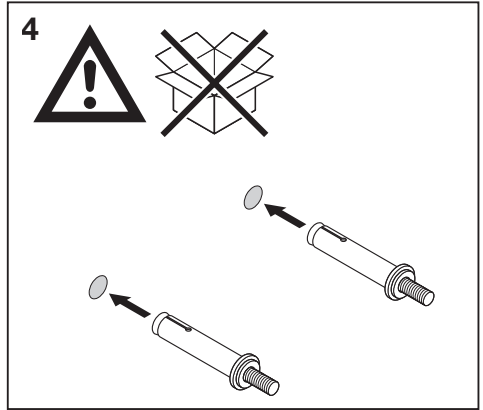
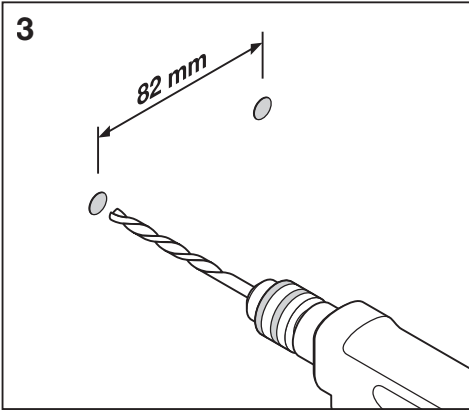
1



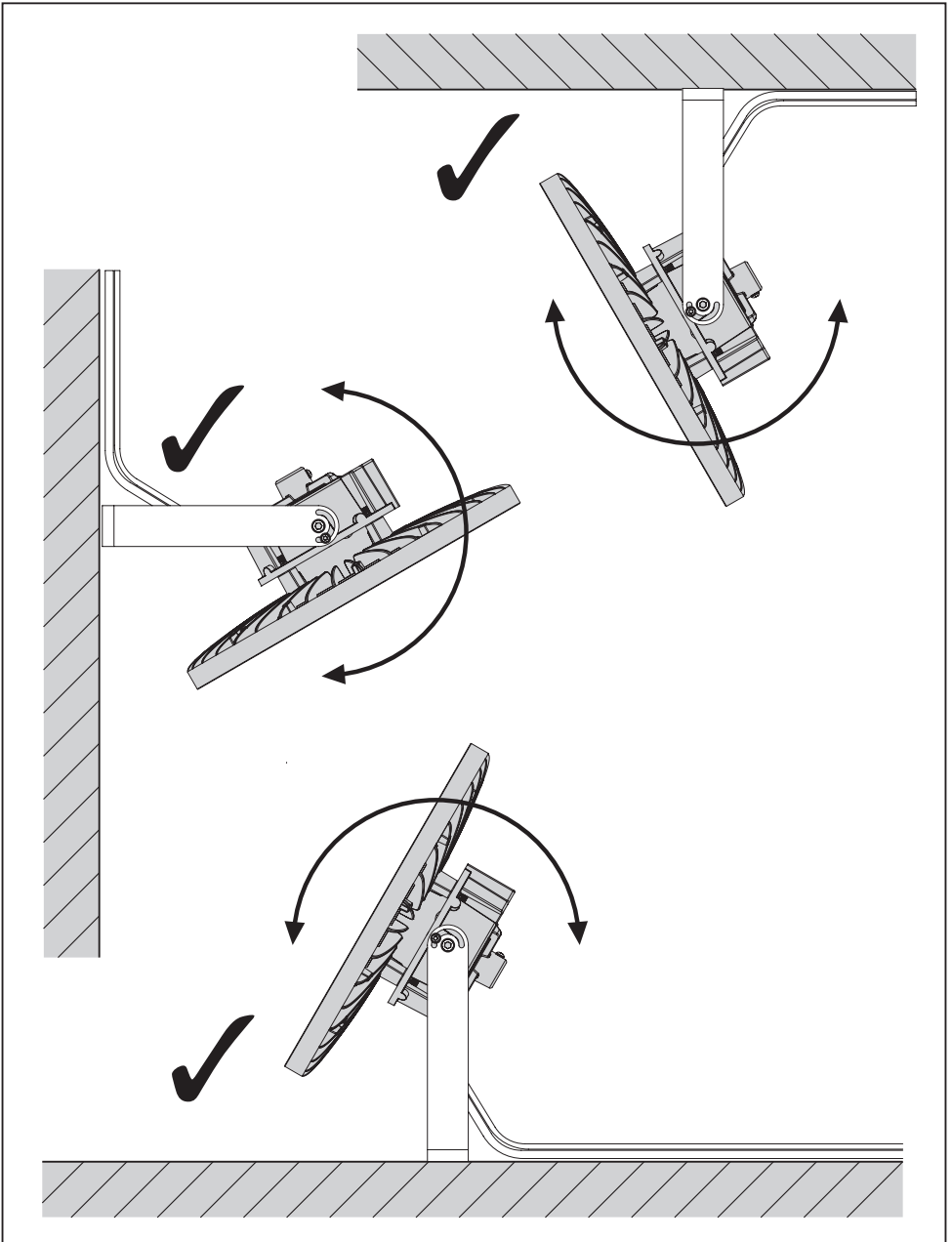
2



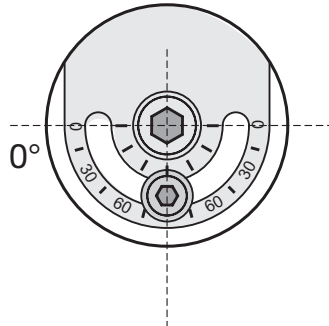
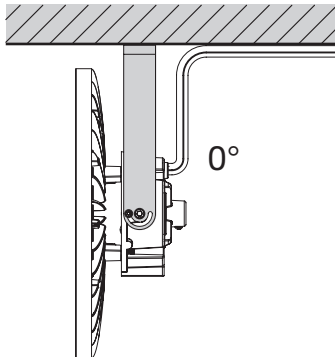
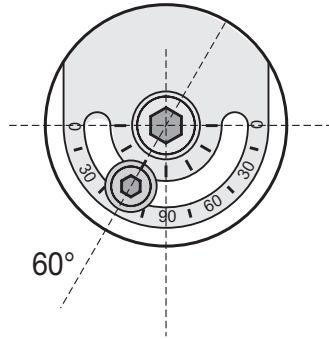
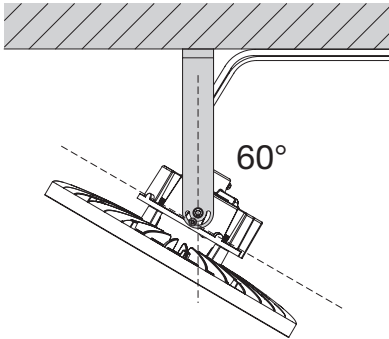
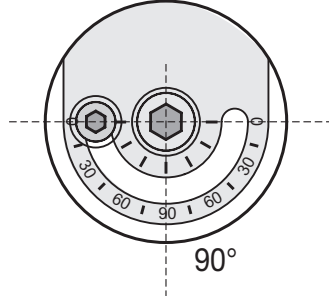
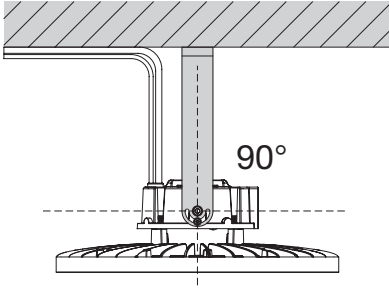
HIGHBAY DALI



HIGHBAY DALI

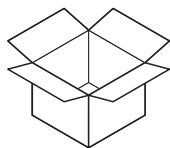


HIGHBAY DALI



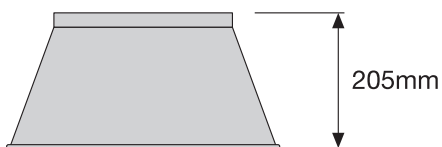
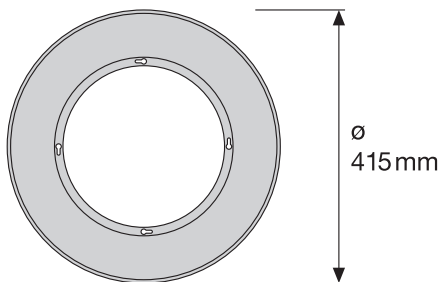
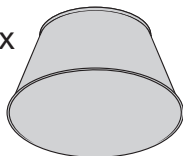


HB ALU REFLECTOR 415
EAN 4058075844568

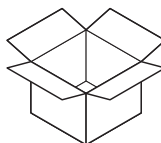


4x 
M4*6

1x

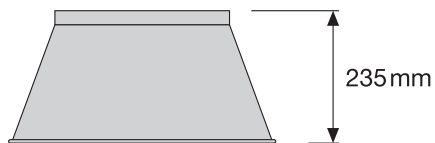
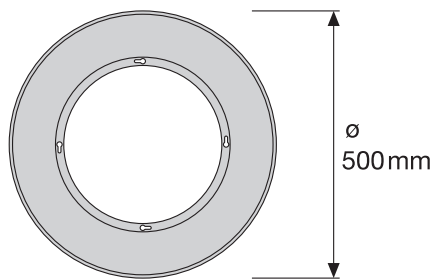
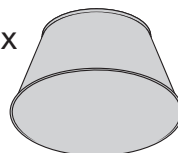


HB ALU REFLECTOR 500
EAN 4058075844582



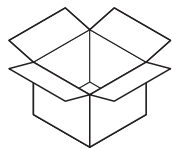
4x 
M4*6


1x



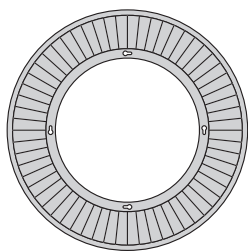
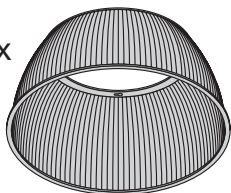



HB PC REFRACTOR 415
EAN 4058075844605

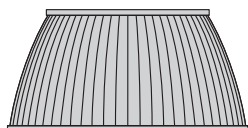


4x 
M4*10

1x

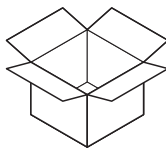


 \varnothing 413mm



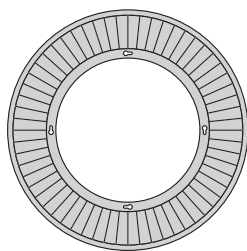
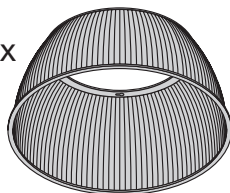
 205mm


HB PC REFRACTOR 500
EAN 4058075844629

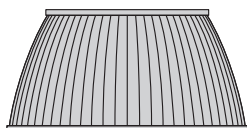


4x 
M4*10

1x



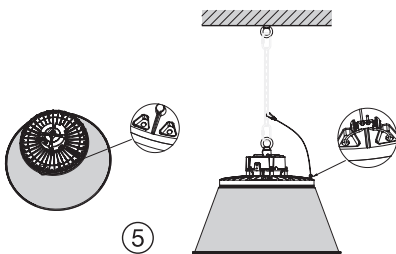
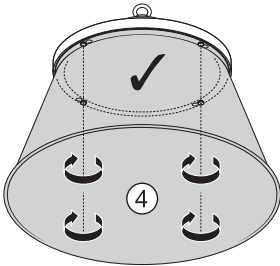
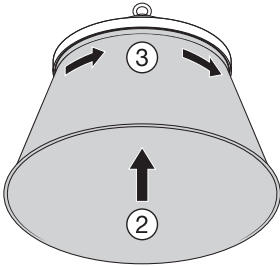
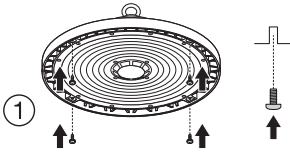
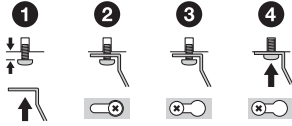
 \varnothing 480mm



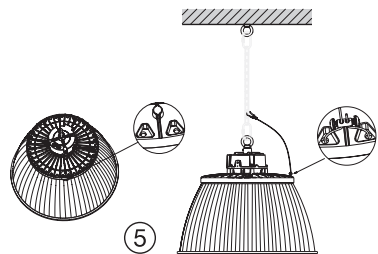
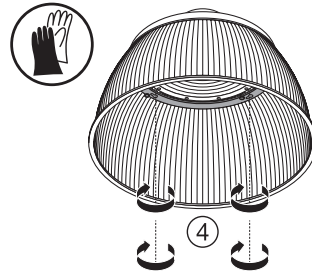
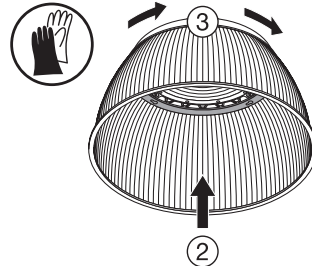
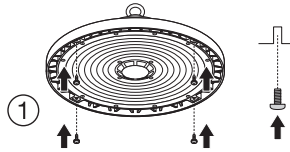
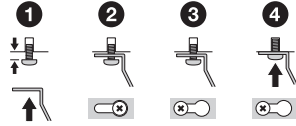
 250mm



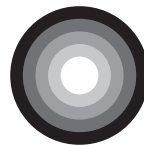
HB ALU REFLECTOR 75W-200W

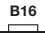
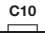



HB PC REFRACTOR 75W-200W



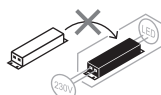
HIGHBAY DALI



n	B16 	C10 	C16 	Inrush current(A)	Inrush charge time Th50(us)	Leakage current (mA) at 240VAC 60Hz (Max Vin and Frequency)
HB DA P 75W 840 70DEG IP66	15	12	19	20.6	244	0.235
HB DA P 75W 840 110DEG IP66						
HB DA P 75W 865 70DEG IP66						
HB DA P 75W 865 110DEG IP66						
HB DA P 150W 840 70DEG IP66	13	10	16	20.8	440	0.320
HB DA P 150W 840 110DEG IP66						
HB DA P 150W 865 70DEG IP66						
HB DA P 150W 865 110DEG IP66						
HB DA P 200W 840 70DEG IP66	9	8	12	19.7	370	0.300
HB DA P 200W 840 110DEG IP66						
HB DA P 200W 865 70DEG IP66						
HB DA P 200W 865 110DEG IP66						



Raccolta Carta
Verifica le disposizioni
del tuo comune.



LEDVANCE SASU
CQM, 5 rue d'Altorf
67120 Molsheim France
www.ledvance.com

C10449059
G11212917
14.11.24

© LEDVANCE Ltd, Sterling House,
810 Mandarin Court, Warrington,
Cheshire, WA1 1GG, United Kingdom